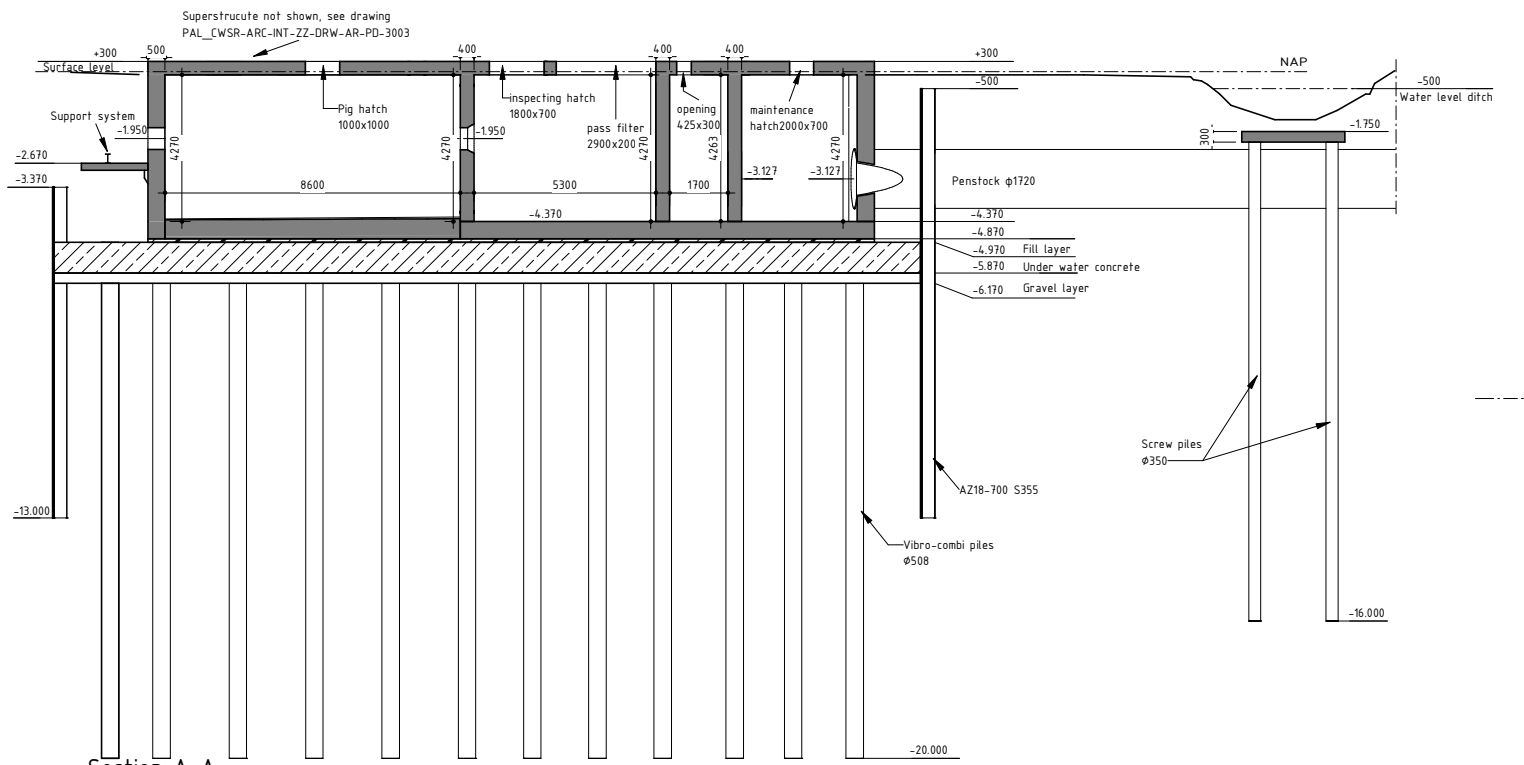
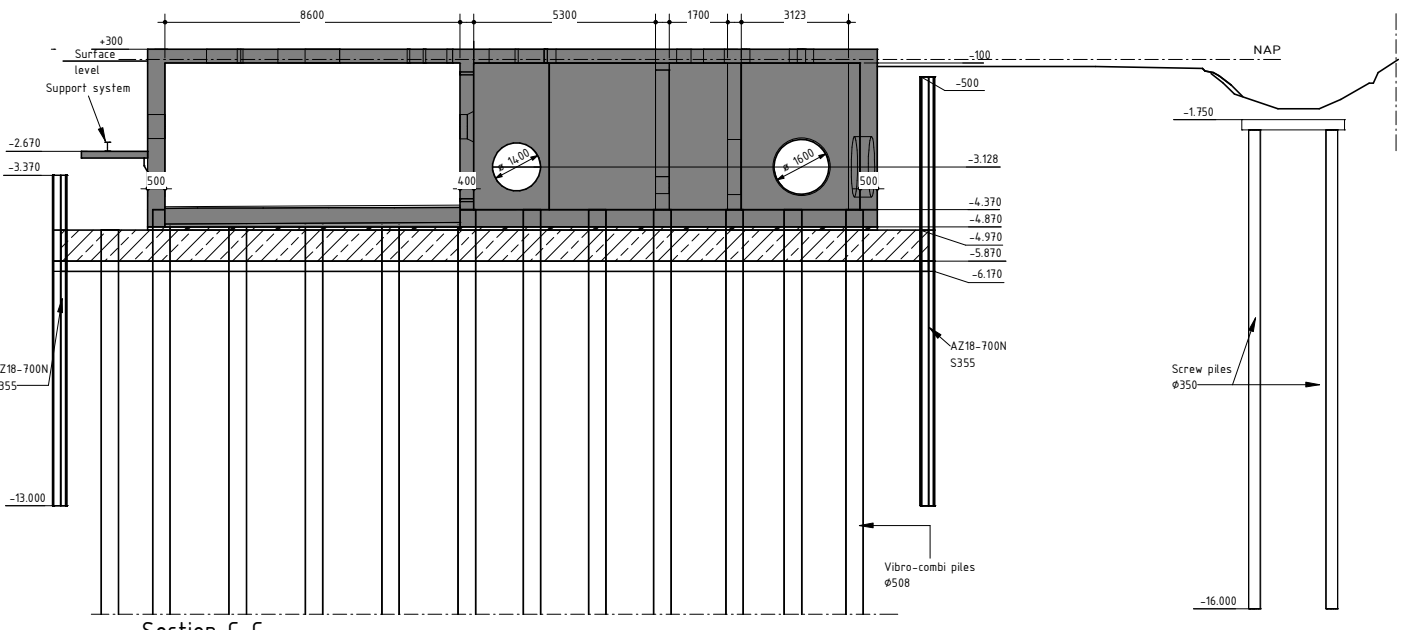


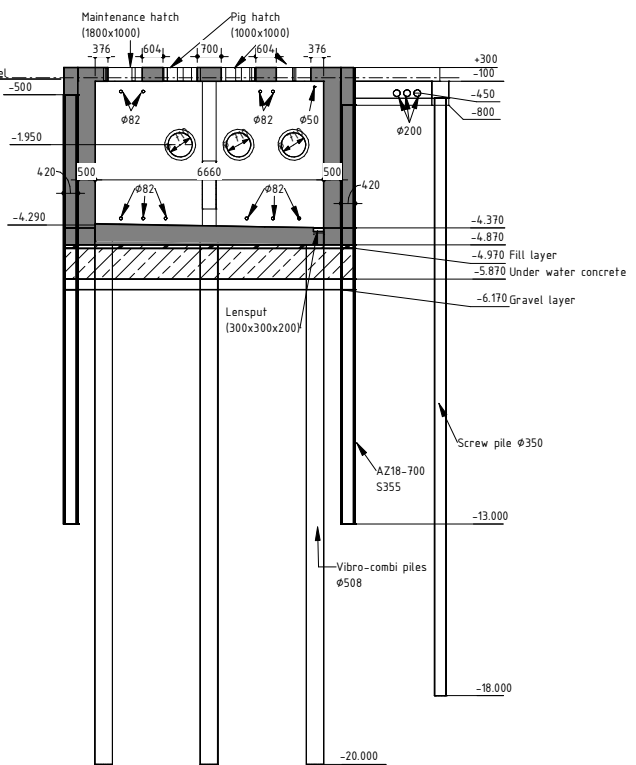
Top view
scale: 1:100



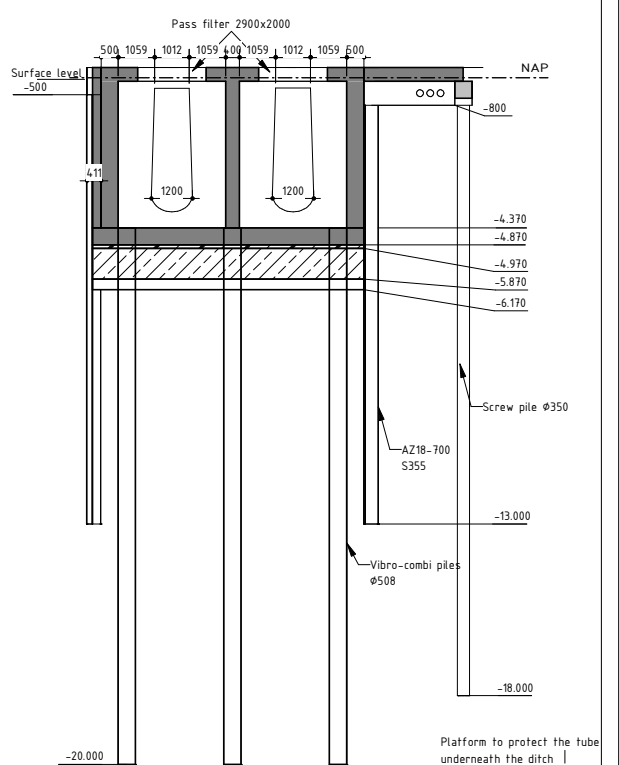
Section A-A
scale: 1:100



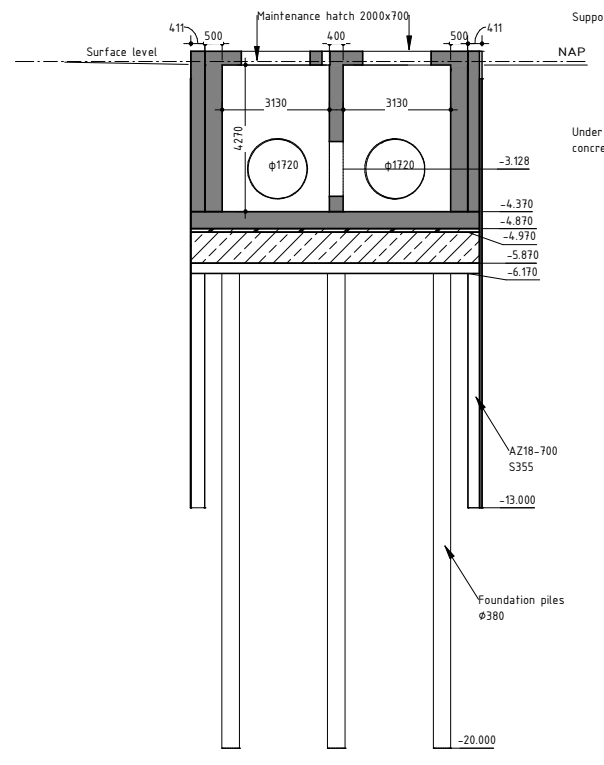
Section C-C
scale: 1:100



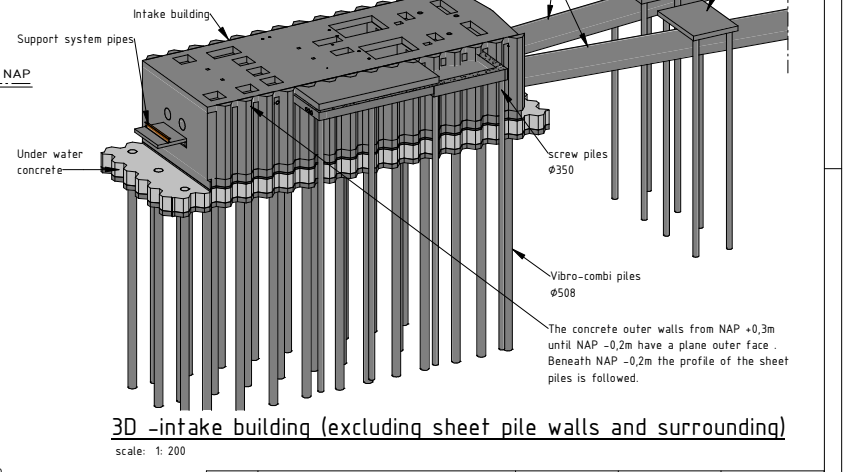
Section B-B
scale: 1:100



Section D-D
scale: 1:100



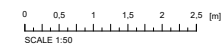
Section G-G
scale: 1:100



3D -intake building (excluding sheet pile walls and surrounding)
scale: 1:200

Remarks:

- This is the preliminary design of the substructure, the contractor should make the final design, and detail the substructure.
- Dimensions in millimeters, unless stated otherwise.
- Height measurements in meters relative to N.A.P., unless stated otherwise.
- Coordinates in meters relative to R.D. (Rijksdriehoekstelsel)
- Angle measurements in 360 degrees, unless stated otherwise.
- Installations and pipes not shown.
- Specific information regarding the design is described in report: PAL_CWSR-ARC-INT-ZZ-REP-CE-PD-0100



Revision	Purpose of Issue	Checked by	Approved by	Date
A	Preliminary Design			18-10-2021

Client
PALLAS

Originator
ARCADIS

Stationplein 18D
Postbus 1632
6201 BP MAASTRICHT
Tel: 088 4201 201
Fax: 043 363 9961
info@arcadis.nl
www.arcadis.nl

Project
Canal Water Supply and Removal (CWSR)

Projectnumber : C05011.000642-Pallas werkpakketten 2020
Phase : PD

Security Category:
AS1- Sensitive

Subject
Intake Building structure

Scale : As indicated
Contractnumber : 20150612-001 | CA91

Sheetsize : A1
Sheet : 1 of 1

Purpose of Issue:
Preliminary Design

Drawingnumber :
PAL_CWSR-ARC-INT-ZZ-DRW-CE-PD-0101

Revision:
A